

# CAPITAL

EXTRAORDINARY COOKING



***CR REFRIGERATORS***  
***SOLID OVERLAY DRAWERS***

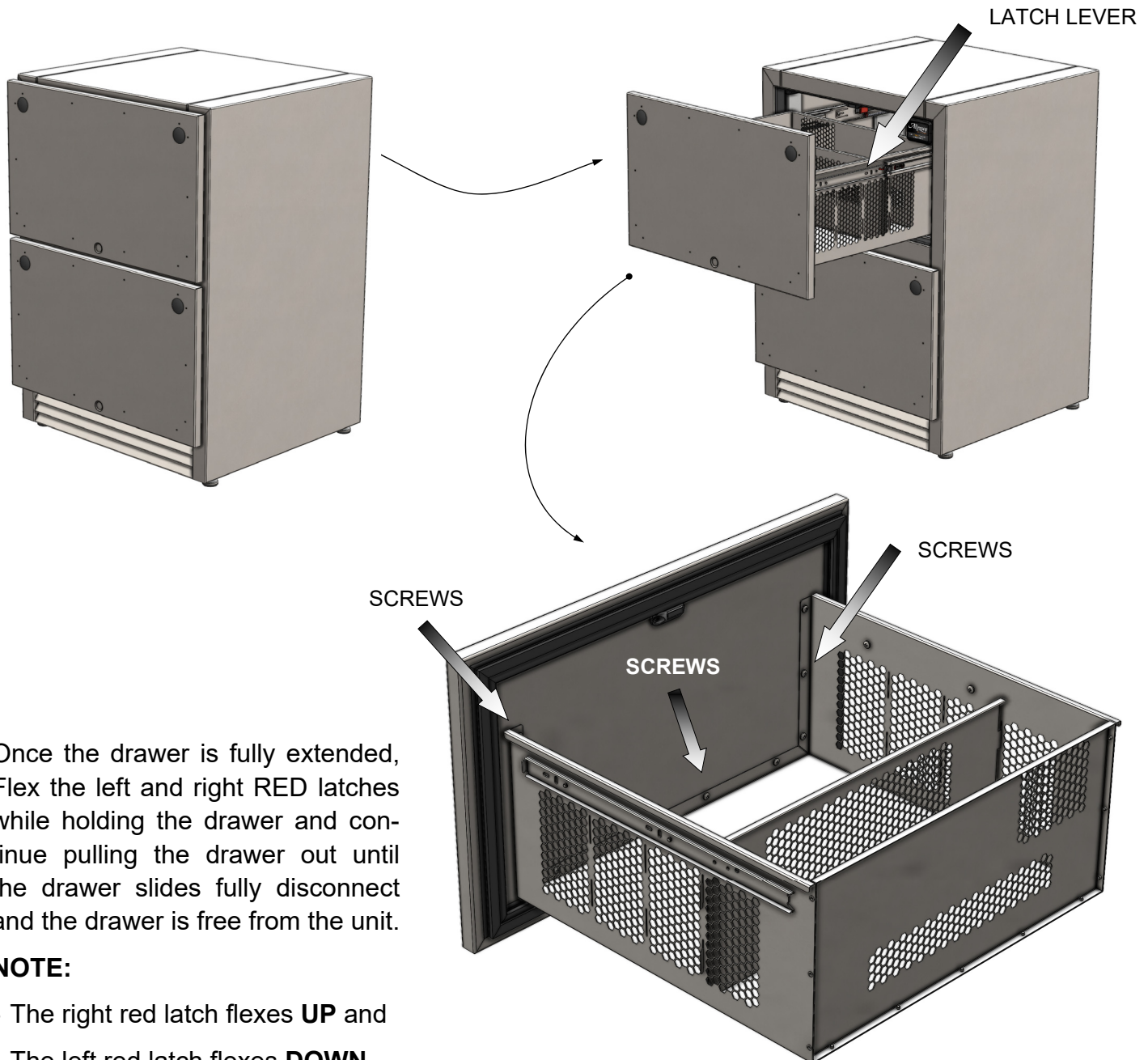


# OVERLAY DRAWER INSTALLATION INSTRUCTIONS

## DRAWER REMOVAL:

1. Begin by removing the existing drawer (top or bottom) from the unit.

This can be done by opening the drawer fully and exposing the RED color latches on the left and right drawer slides.



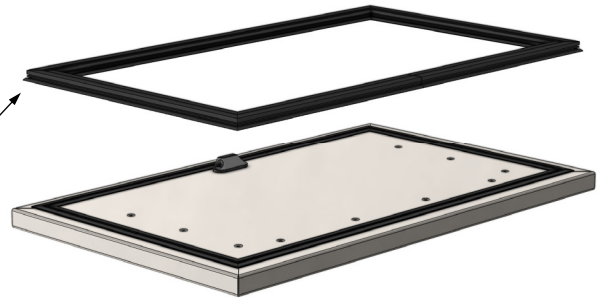
2. Once the drawer is fully extended, Flex the left and right RED latches while holding the drawer and continue pulling the drawer out until the drawer slides fully disconnect and the drawer is free from the unit.

### NOTE:

- The right red latch flexes **UP** and
  - The left red latch flexes **DOWN**
2. Remove the 10-32 screws that hold the Drawer face assembly from the drawer body.
  3. The face of the drawer is now separated.

5. Remove the magnetic gasket from the drawer face carefully pulling it out of the drawer plastic gasket track.

MAGNETIC  
GASKET



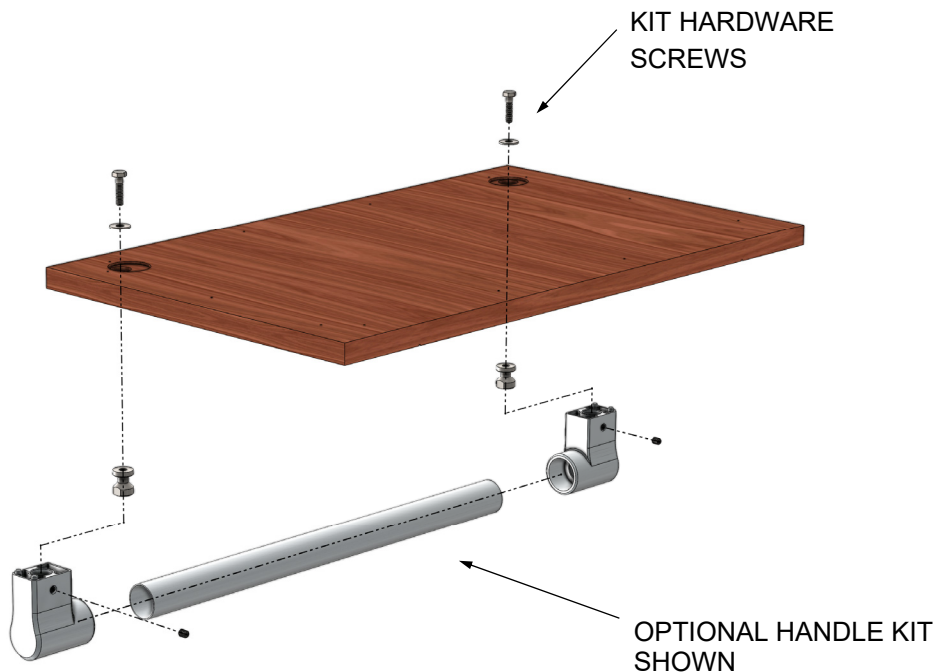
6. Install the drawer handles onto the face of the overlay drawer material.

If you are using the OPTIONAL Capital Overlay Handle Kit, use the proper pattern for the handle mounting locations:

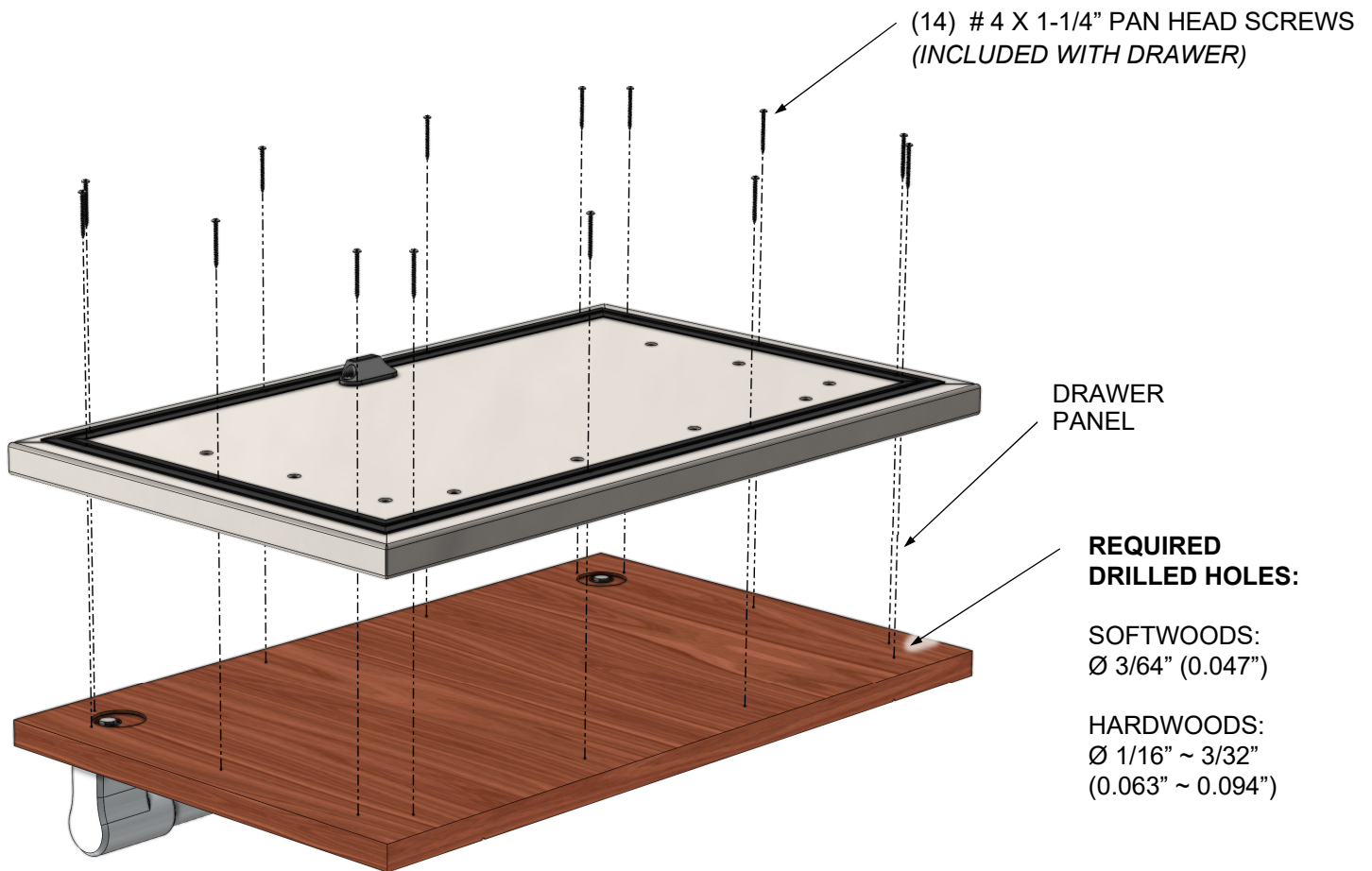
- CR-24D Handle / Install template drawing **100-4067**
- CR-28D Handle / Install template drawing **100-4068**
- CR-24D units use handle kit **CR-24DPR-HK**
- CR-28D units use handle kit **CR-28DPR-HK**

If you are using your own handle or pull hardware, install it according to your existing manufacturer's guidelines to match other cabinets.

Follow the above mentioned templates as a general guide to drill the necessary holes for the specific hardware you will be using.



7. Turn over the stainless drawer face so the inside face is on the top.
8. Install the stainless drawer face over the overlay drawer face centering it on from all sides.
9. Press firmly into place (with clamping tools if required) and fasten the stainless drawer onto the overlay with the provided (14) # 4 x 1-1/4" screws.



### INSTALLATION:

Finish by re-installing the magnetic gasket on the PVC track and re-installing the drawer face (now with the overlay panel) onto the refrigerator drawer body using the 10-32 screws removed on step 3.

Install the drawer assembly back into the refrigerator unit by first extending the drawer slide bodies that remained on the refrigerator unit. Extend these slides (left and right) fully out.

Insert the drawer body into the slides and push in the drawer until the slides lock into place and the magnetic gaskets makes contact with the body. Open and close the drawer to verify proper operation.

Repeat the same process for the second drawer (top or bottom) as needed to complete the installation of overlay drawer faces.