

30" *maestro series*[™]

Warming Drawer



30" WARMING DRAWER FEATURES:

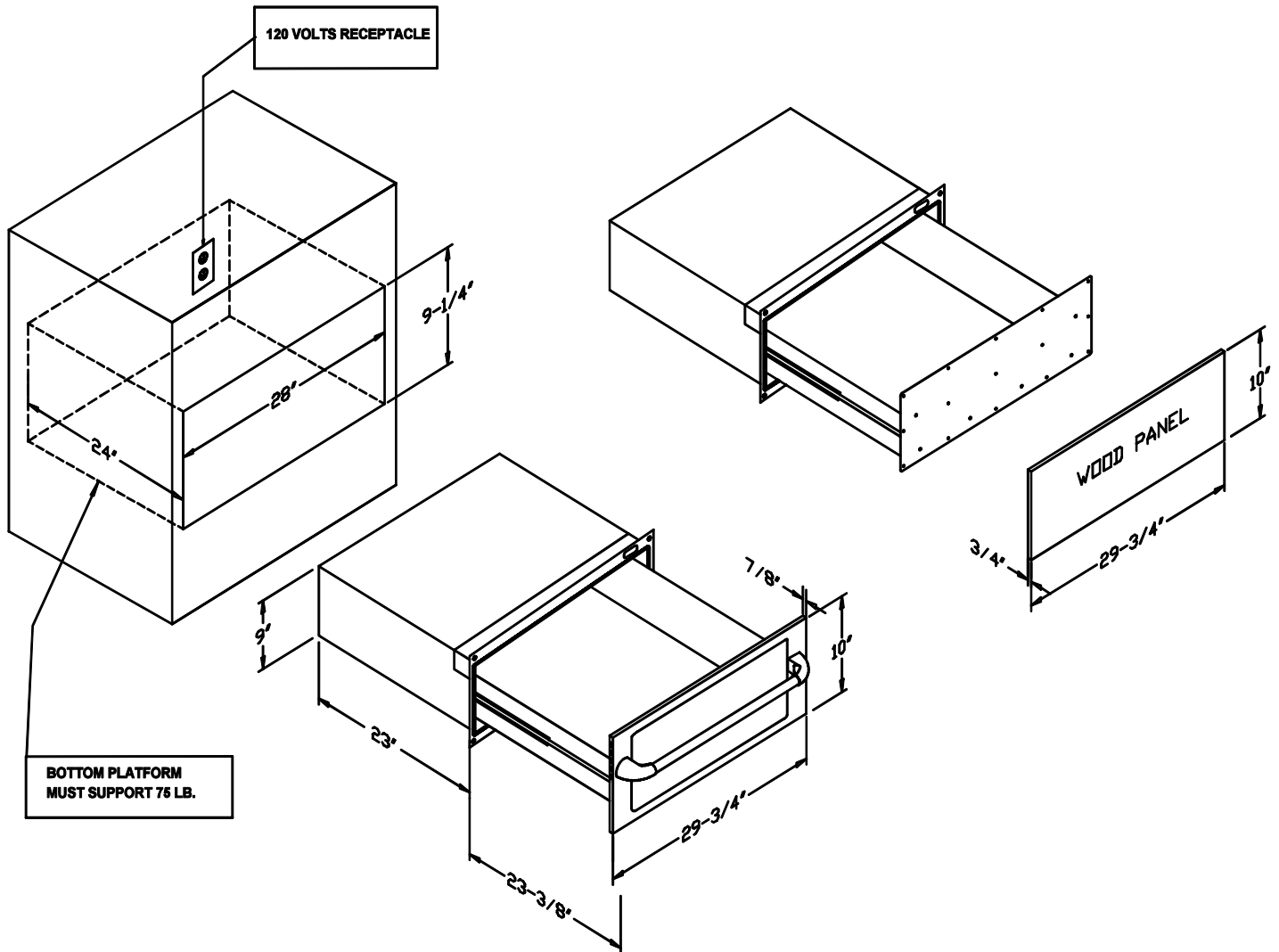
Three User Adjustable Factory Preset Temperatures (120° ; 145° ; 200°).
Factory Preset Temperatures can be customized to Owner's needs.
OFF Timer Adjustable from 5 minutes to 4 hours. Turns Drawer OFF.
Continuous ON Option allows extended safe Warming without resetting.
Large Temperature and Timer display for easy viewing in light or darkness.
APPROVED FOR OUTDOOR INSTALLATION.

Moisture Vent allows moisture to escape or retain. MWD30E-S model only.
500 Watt 120 Volts Heating Element.
Removable Drawer for easy cleaning.
Ball Bearing Slides allows smooth opening and closing.
Self Closing feature slides smoothly to seal the drawer.
Available for Wood Paneling installation. Model MWD30E-W.



UNIT INFORMATION AND CABINET DRAWING:

MODEL NUMBER	MWD30E-S	MWD30E-W
SHIPPING WEIGHT	100 LBS	100 LBS
CIRCUIT BREAKER (FUSE)	15 AMP	15 AMP
ELECTRICAL	120 Volts 60Hz	120 Volts 60Hz
UNIT RATING	0.54 KW (4.37 A MP)	0.54 KW (4.37 A MP)



Capital Cooking Equipment Inc.
1085 Bixby Drive
City of Industry, CA 91745-1704

Phone: 323-722-7900
Toll Free: 888-383-8800
E-mail: sales@capital-cooking.com

Made in the U.S.A.
Visit our web site:
www.capital-cooking.com